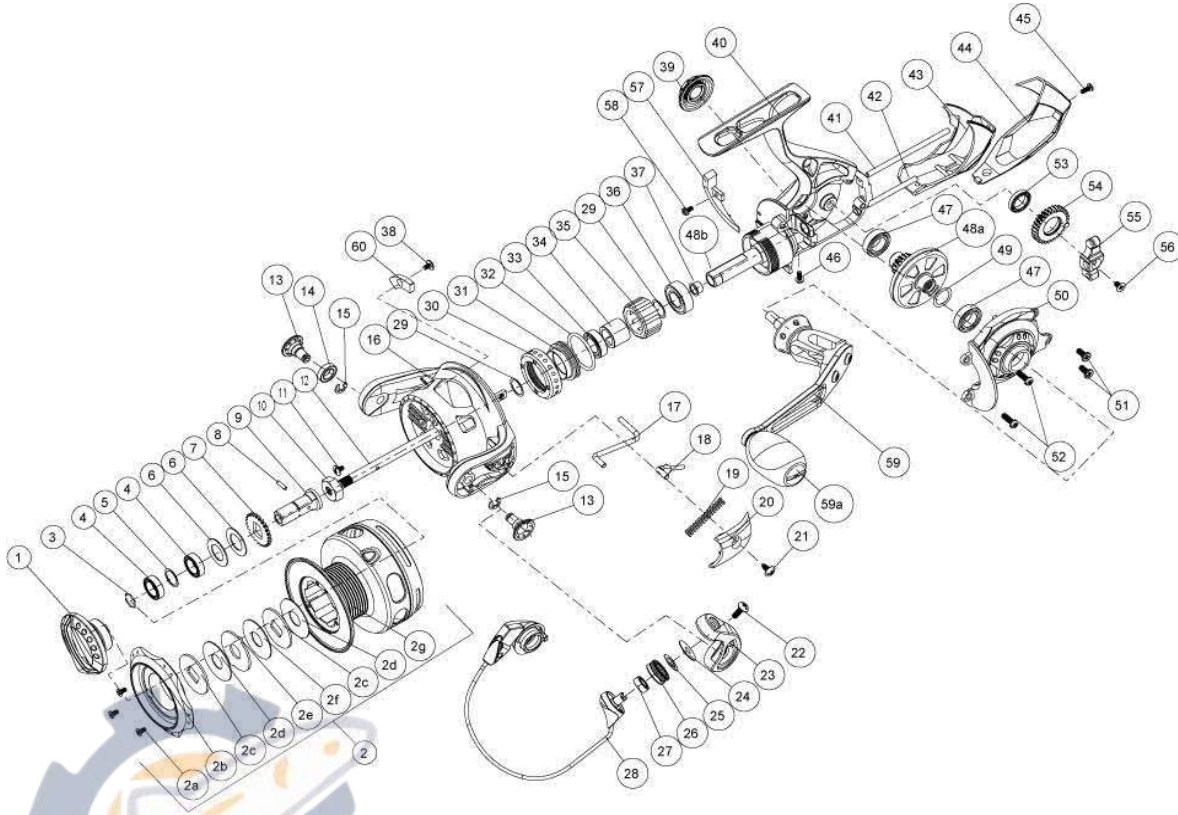


QUANTUM

Exo EX40PTi



Quantum Exo EX40PTi Spinning Reel Part List

Key #	Description	Qty.	Part No.	Key #	Description	Qty.	Part No.
1	Drag Knob Assembly	1	WAA332-02	30	Clutch Bearing Cap	1	WAA040-03
2	Spool Assembly	1	WAA321-51	31	Clutch Bearing Adapter	1	WAA190-01
2a	Spool Cap Screws	3	CF107-01	32	O-Ring	1	XF101-01
2b	Spool Cap	1	WAA144-61	33	Top Pinion Ball Bearing	1	TW058-03
2c	Drag Washer "D"	2	XAA080-01	34	Sleeve	1	WAA139-01
2d	Drag Washer "B"	2	WAA033-01	35	One Way Clutch / SEE ITEM #61	1	CAB063-01
2e	Drag Washer "A"	1	WAA081-01	36	Bottom Pinion Ball Bearing	1	UK028-02
2f	Drag Washer "C"	1	WAA033-02	37	Pinion Bushing	1	WAA213-01
2g	Spool	1	N/A	38	Counter weight screw	1	UAA094-02
3	Retainer Ring	1	WAA038-01	39	Dust Cap	1	UAA054-01
4	Spool Ball Bearing	2	KT158-01	40	Body Assembly	1	WAA301-03
5	Spool Ball Bearing Washer	1	WAA076-01	41	Post	1	WAA093-01
6	Spool Adjust Washer	2	WAA030-01	42	Post	1	WAA098-01
7	Clicker Gear	1	WAA037-01	43	Body Rear Cap "A"	1	XAA141-01
8	Adapter Pin	1	UAA134-01	44	Body Rear Cap "B"	1	XAA140-01
9	Shaft Drag Adapter	1	WAA117-01	45	Rear Cap Screw "A" - M2 x 5mm	1	UAA123-06
10	Rotor Nut	1	BAA006-02	46	Rear Cap Screw "B" - M2 x 5mm	1	UAA123-06
11	Rotor Nut Lock Screw	1	UAA094-02	47	Drive Gear Bearing	2	TW058-03
12	Main Shaft	1	WAA015-02	48	Gear Kit	1	WAA412-02
13	Rotor Arm Sleeve	2	UAA042-02	48a	Drive Gear	1	WAA012-01
14	Ball Bearing	1	BAA158-01	48b	Pinion Gear	1	WAA011-02
15	E-Clip	2	QW120-01	49	Drive Gear Adjust Washer	1	BAA105-04
16	Rotor	1	WAA009-02	50	Sidecover Assembly	1	WAA323-03
17	Kick Lever	1	DAA019-01	51	Sidecover Screw "B" - M2.6 x 6mm	2	UAA050-01
18	Bail Actuator	1	DAA031-01	52	Sidecover Screw "A" - M2.6 x 8mm	2	UAA057-02
19	Bail Spring	1	WAA022-01	53	O/S Gear Bearing	1	DAA158-01
20	Arm Lever Cover	1	WAA087-02	54	O/S Gear Assembly	1	WAA353-01
21	Arm Lever Cover Screw	1	CW125-02	55	O/S Slider	1	WAA025-01
22	Line Roller Screw	1	BAA108-02	56	Main Shaft Screw	1	BAA100-01
23	Arm Lever	1	WAA007-01	57	Incline	1	WAA119-01
24	Line Roller Collar	1	DAA102-01	58	Incline Screw	1	UAA123-04
25	Line Roller Washer	1	BAA102-01	59	Handle Assembly	1	WAA318-02
26	Line Roller	1	DAA004-02	59a	Handle Knob Cap	1	BB115-02
27	Line Roller Ball Bearing	1	GH202-01	60	Counter weight	1	UAA148-01
28	Bail Assembly	1	WAA347-01	61	Clutch Cap Removal Tool	1	WAA3113-01
29	Rotor Adjust Washer	1	BAA110-02				